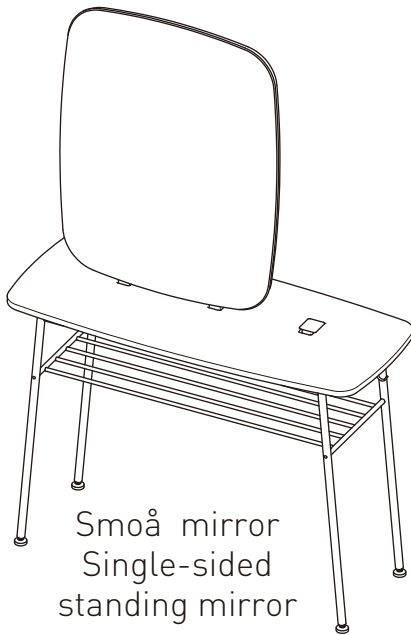


Takara Belmont Styling Mirror for Hairdressing salons

Smoå mirror

Model number AY-M2A* / AY-F2A* *-800H

INSTALLATION AND OPERATING INSTRUCTIONS



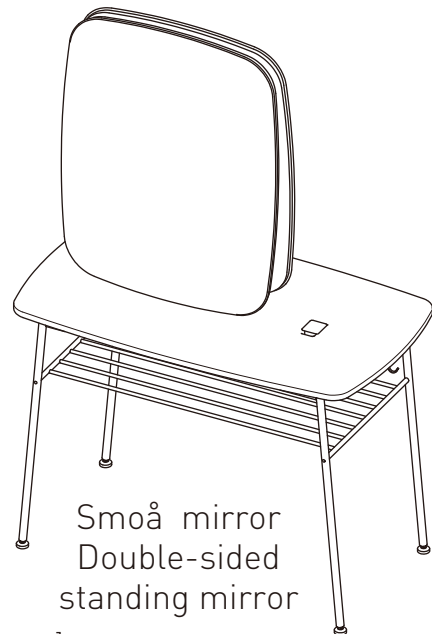
[Item numbers]

AY-M2AA+AY-F2AAB

(Single-sided standing mirror with a black frame)

AY-M2AA+AY-F2AAG

(Single-sided standing mirror with a pink-champagne-gold frame)



[Item numbers]

AY-M2AB+AY-F2ABB

(Double-sided standing mirror with a black frame)

AY-M2AB+AY-F2ABG

(Double-sided standing mirror with a pink-champagne-gold frame)

Thank you for purchasing this Takara Belmont product.

Please read the Installation and Operating Instructions carefully before use and use the product correctly.

Failing to read the Installation and Operating Instructions before use may lead to accidents.

- Keep this booklet safe near the product so that it can be referred to promptly, and be sure to read this booklet again when necessary.
- This product is an industrial appliance designed for use by hairdressing salons.
Only use this product for its intended purpose.
- The product must only be used by professionals such as hair stylists and aestheticians.
- Only qualified technicians (from Takara Belmont or Takara Belmont-designated contractors) are allowed to put up and install the product, and installation and assembly should be done based on the installation and operating instructions.

If the Installation and Operating Instructions become illegible due to stains and tears, or if this booklet is misplaced, please request a copy from Takara Belmont using the inquiry number shown in the box below.

Table of Contents

Introduction

Description of Warning Symbols	3
Safety Precautions	4
Precautions for Use	5
Notes on the Product	6
Location of the Product Identification Label	7
Accessories	8
Names of Parts	8
Product Dimension Diagram	9

Installation

Before Installation	10
Putting up the Product	10
Moving the Product to Another Place	12

Maintenance

Maintenance Method	12
--------------------------	----

Information for Use when Needed

Daily Inspection	13
Standard Period of Use	14
Parts That Are Not Covered by the Warranty	14
Disposal of the Product	14
Specifications	15

Description of Warning Symbols



■ Before using the product ...

Please be sure to read the Safety Precautions and Precautions for Use carefully and use the product correctly.




■ Precautions shown on this page

These are intended for the safe use of the product and to prevent harm and damage to users and other people. All of the precautions shown are important details related to safety. Please be sure to follow these precautions. If an accident occurs due to a failure to follow the Safety Precautions and Precautions for Use, Takara Belmont is not responsible for any damage or risk to the person using this product or those around them due to accidents. In this case, the person failing to adhere to the Safety Precautions and Precautions for Use will be responsible for any damage or risk incurred.

Detailed descriptions of symbols are provided below. Read and understand these symbols thoroughly before reading this manual.

Symbols	Magnitude of harm/damage and urgency
 WARNING	The items explained under this symbol are precautions that may result in deaths or serious injury from the incorrect handling of the product if the warning is not followed.
 CAUTION	The items explained under this symbol are precautions that may result in mild or moderate injury or property damage from the incorrect handling of the product if the caution is not followed.

Individual items that must be complied with are explained under the following symbols:

Symbols for prohibited items	Symbols for mandatory items
 Display for general prohibitions  Display for prohibition of disassembly, repair, and modification	 Display for general mandatory action by the user

Safety Precautions (items that must be followed)

WARNING

When installing the product or moving it to another place . . .



● Precautions to take when installing it

- The product must be put up and installed as instructed in this manual.
- Only qualified technicians (from Takara Belmont or Takara Belmont-designated contractors) are allowed to put up and install the product.
- The product must be installed on a solid, level, flat surface. If the installed product is wobbly, use the adjustable feet (page 11) to correct the problem. Otherwise, the product may fall, resulting in injury or damage to the product.
- The product must be installed in a place where no objects can come into contact with it.

When using or handling the product ...



● Do not push, lean on, climb onto, or hang from the product.

The product may fall, resulting in injury or damage to the product.



● When wiping the mirror, place your hand on the back to support it.

Otherwise, the product may fall, resulting in injury or damage to the product.



● Avoid disassembling, repairing, and modifying the product

The device must not be disassembled or repaired by people other than qualified repair technicians under any circumstances because this may result in accidents and failures.

CAUTION

When installing the product or moving it to another place . . .



● Precautions to take when moving it to another place

- When moving the product to another place, hold it by the top board as instructed in "Moving the Product to Another Place" (page 12).
When carrying the product, do not hold it by any part other than the top board. The product may become unbalanced and fall, resulting in injury or damage to the product.
- Do not carry the product with any objects left on the top board or shelf.

When using or handling the product ...



● Do not subject the product to impact.

Injury or damage to the product may result.

● Do not place excessive loads on the top board or shelf. (The load capacity is 150 N (15 kgf).)

Do not drop any objects on the product from a height or place a load on it that exceeds the load capacity. Deformation or other damage to the product may result. Also, the product may fall, causing injury.

Safety Precautions (items that must be followed)

CAUTION

When using or handling the product ...



- **Do not pull hard on a power cord that is caught by the product.**

If the power cord of a dryer or any other object is caught by the product, do not pull hard on the cord. The product or the cord may become damaged, resulting in injury or electric shock.



- **Be careful with the corners of the product, and the dimples and bumps on the product.**

When cleaning the product, be careful with the corners of the product, and the dimples and bumps on the product. Otherwise, injury may result.

Precautions for Use

- **Do not use the product for any purpose other than hairdressing salon treatments.**

This product is for professional use in hairdressing salons. Do not use it for any purpose other than hairdressing salon treatments.

- **The product must only be used by those who have undergone appropriate training, such as hair stylists and aestheticians.**

This product is an industrial appliance for use in hairdressing salons. The product must only be used by those who have undergone appropriate training, such as hair stylists and aestheticians.

- **Do not use the product outdoors.**

This product is for indoor use only. Outdoor use may result in malfunction or damage to the product.

- **Do not subject the product to direct sunlight or heat from heating appliances.**

Do not subject the product to direct sunlight or heat from heating appliances, such as space heaters. The wooden parts of the product may discolour, undergo change in properties, warp, or deteriorate. Do not use the product on an electric heating carpet or other heating equipment. Fire may result.

- **Do not subject the product to impact from other objects.**

Do not subject the product to impact from hard objects.

If you carry scissors near the product, be careful not to bring them into contact with the product. Deformation or damage to the product may result.

Precautions for Use

- **Do not get the product wet with water. If it gets wet, be sure to wipe it dry.**

Be careful not to get the product wet with water. If it gets wet, wipe off the moisture immediately. Otherwise, the product may gather rust, discolour, undergo change in properties, or warp, or the moisture may leave unremovable stains.

- **Do not use abrasive cleaners on the product.**

Do not use abrasive cleaners on the product. The use of abrasive agents or the use of abrasive sponges, steel wool, nylon scourers, or other hard cleaning tools may leave scratches on the product.

- **Immediately wipe any chemicals off the product.**

If the product is stained with chemicals, such as hair dye, wipe them off immediately. Otherwise, the product may discolour, undergo change in properties, or warp. If the floor is stained with chemicals, wipe them off immediately. Hair dye has such a strong colouring power that, even if wiped off immediately, it may not be completely removed, and the colour may remain.

- **Do not remove the product identification label (page 7).**

Never take the product identification label off the product. If the label is not attached to the product, we may not be able to accept service requests for the product.

Notes on the Product

- **Mirror(s)**

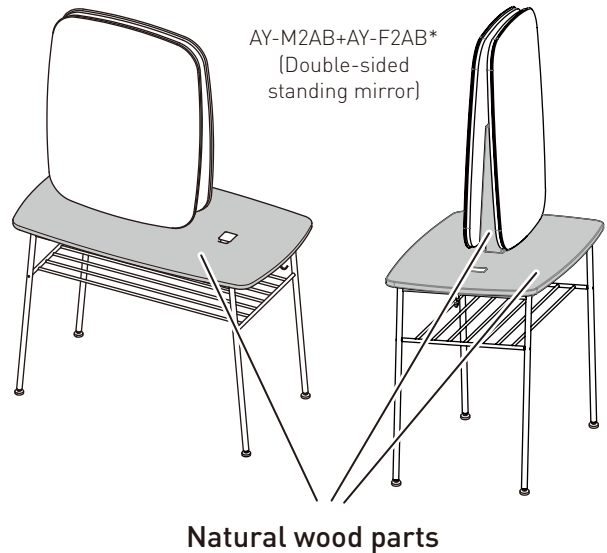
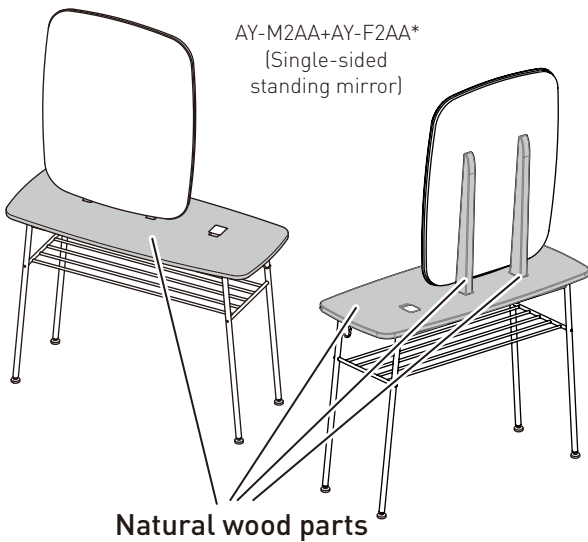
The glass used to manufacture the mirror(s) for the product is sheet glass for mirrors that conforms to Japan Industrial Standards. For manufacturing reasons, the glass surface may be uneven within the criteria ranges. Please accept any reflection distortion that falls within the product's criteria ranges.

- **Natural wood parts**

Some parts of the product are made of natural wood.

Natural wood has natural grain patterns, knots, and fine scratches on it. The surface finish and grain on the natural wood parts differ between individual parts. The natural wood parts may have minor cracks, warps, or twists, and they may vary in dimension, which are common features of natural wood. Please be advised that we are unable to accept any request to replace the whole or parts of the product for these reasons. Please also note that, compared to parts made of other materials, natural wood parts are harder to remove stains from, more vulnerable to scratches, and less resistant to chemicals, moisture, and dryness, and that wood grain may resemble stains. These characteristics are outweighed by the distinctive texture of natural wood, which deserves appreciation.

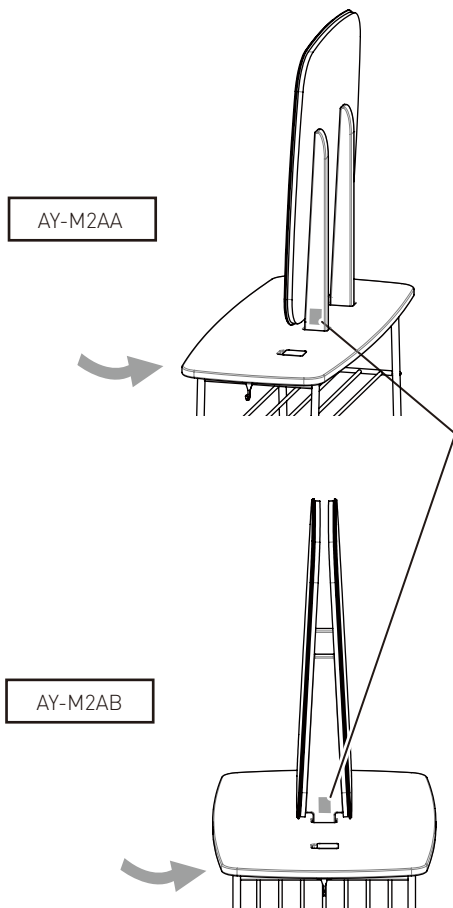
Notes on the Product



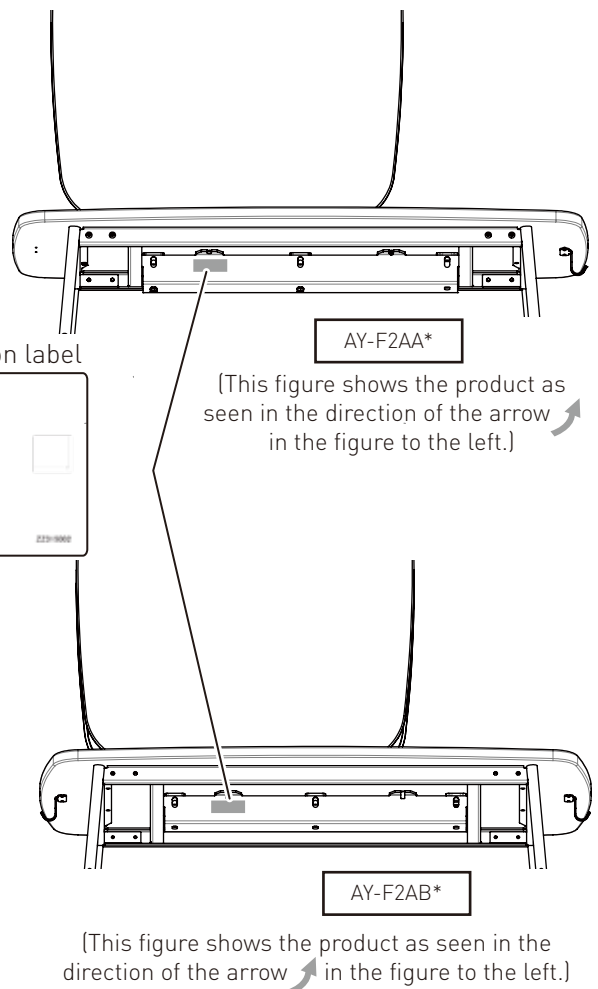
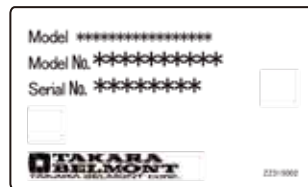
- Do not subject the product to direct sunlight or heat from heating appliances, such as space heaters. The surface of the wood will deteriorate.
- Wood will gradually turn yellow after many years of use.
- Wood may dry out and absorb moisture causing it to contract and expand, resulting in cracks or warps.
- The wooden parts need regular maintenance (waxing). [See "Maintenance Method" on page 13.]

Location of the Product Identification Label

■ Location of the product identification label



Product identification label





Accessories

The product consists of the mirror unit (AY-M2A*) and the frame (AY-F2A*), which are packed separately. Check that the frame comes with all the items listed below.

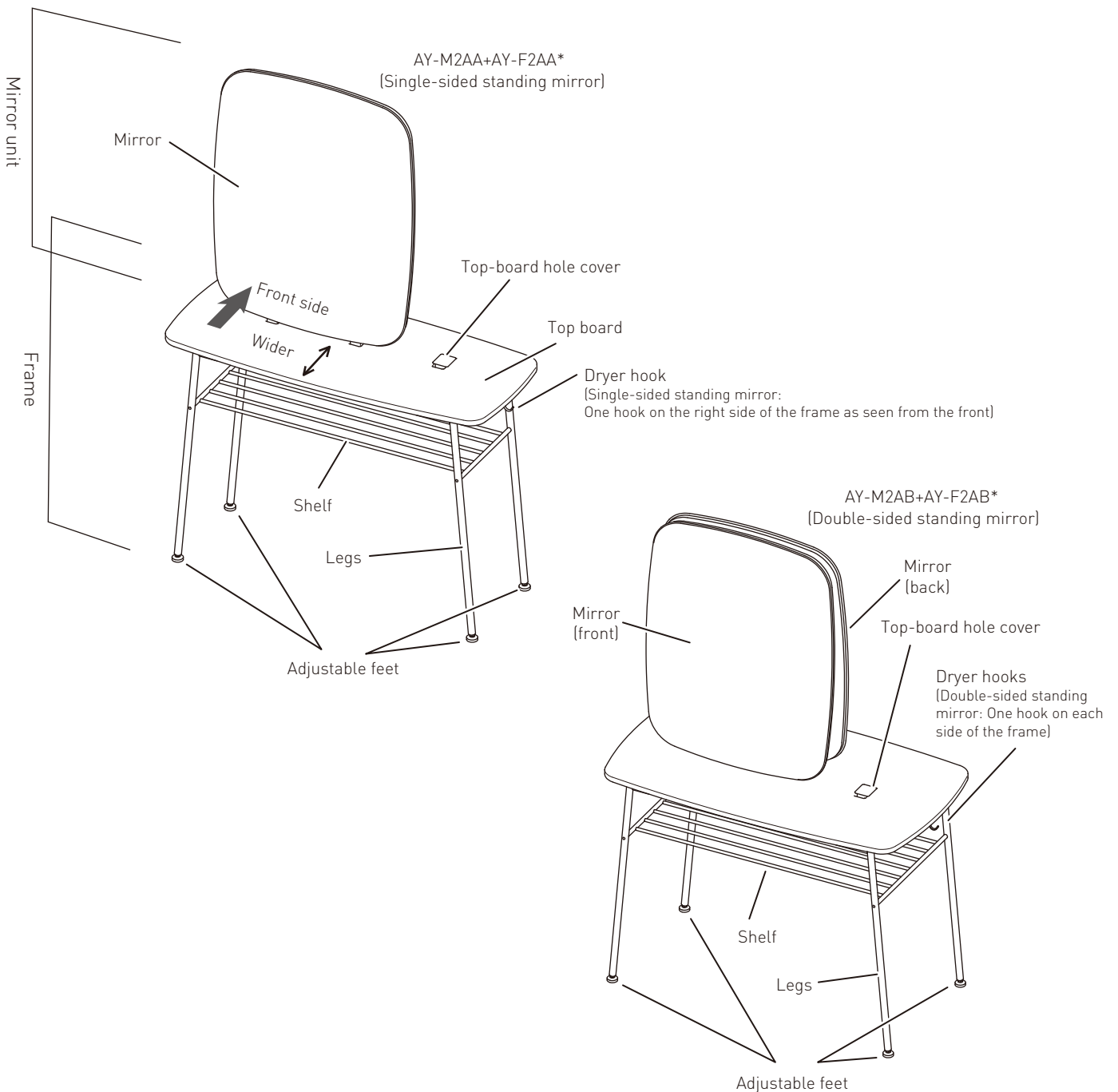
- One copy of the Installation and Operating Instructions (this manual) ■ One top-board hole cover

■ Bolts and washers

- Four hexagon head bolts, M6 × 35 
- Four washers, OD 25 × ID 6.5 × t 1.5 



Names of Parts

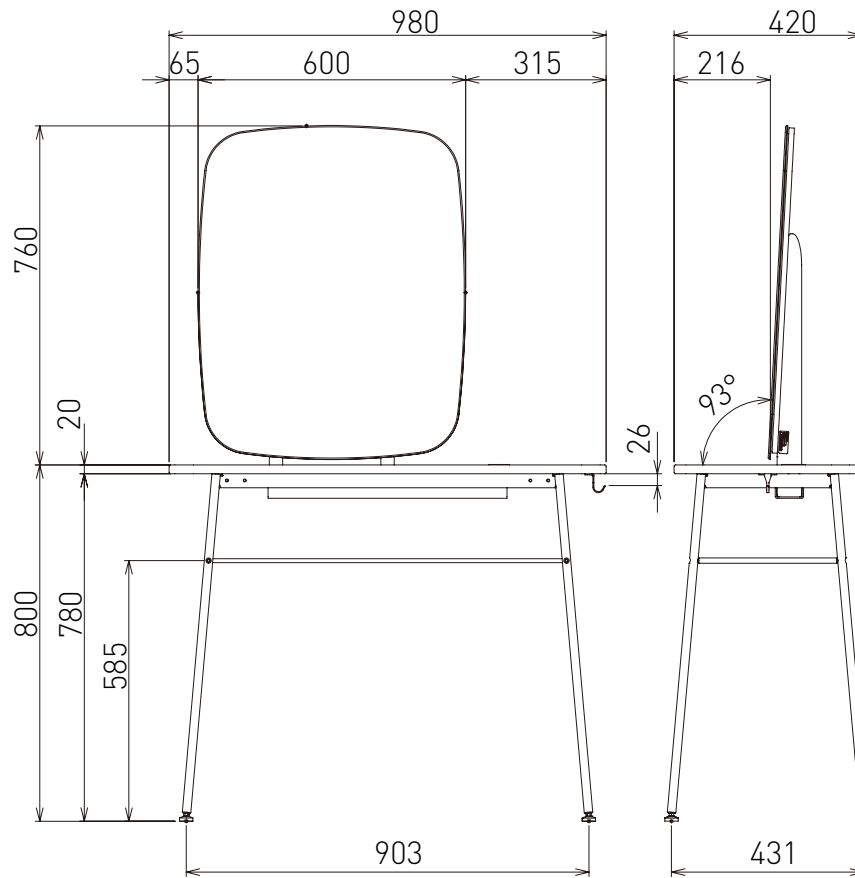


Product Dimension Diagram

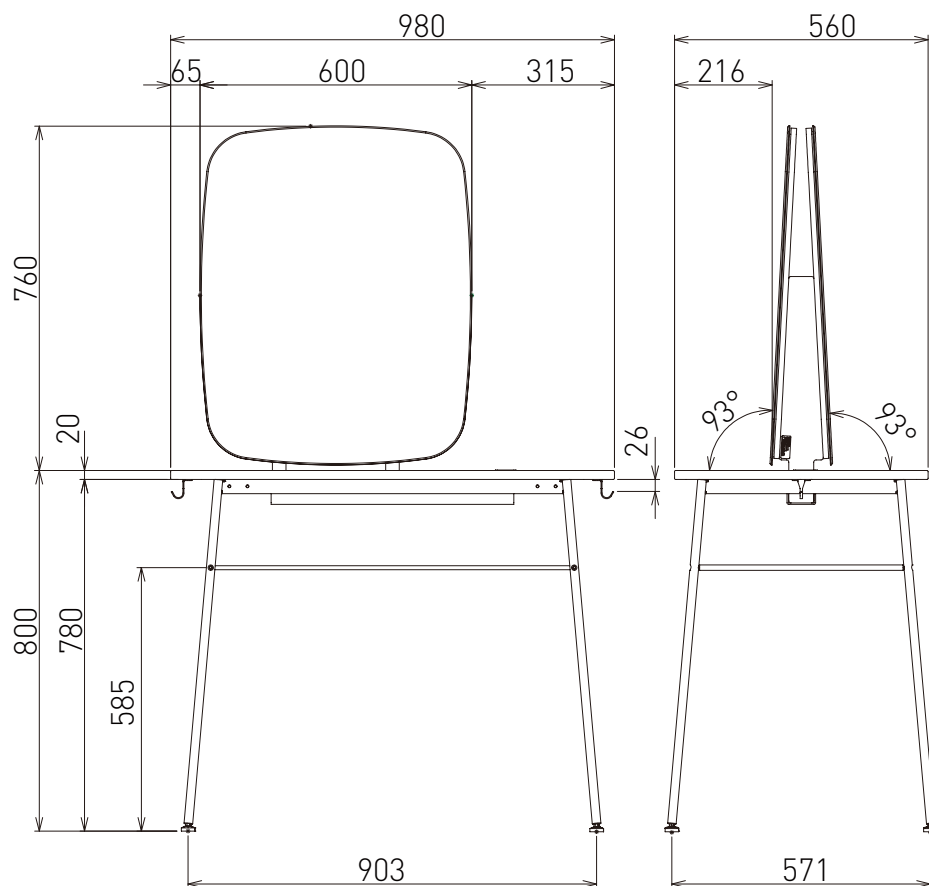
● Dimension Diagram

Drawing units: [mm]

AY-M2AA+AY-F2AA*
(Single-sided
standing mirror)



AY-M2AB+AY-F2AB*
(Double-sided
standing mirror)

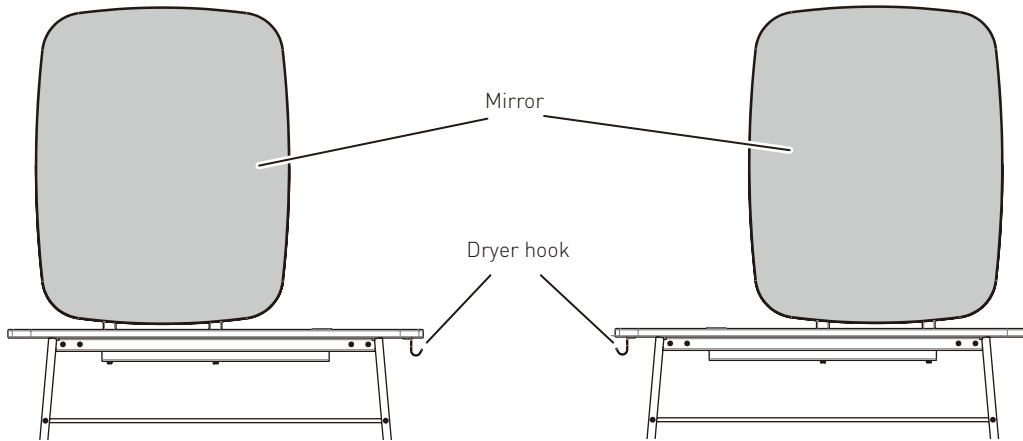


Before Installation

Before installation, please refer to "Product Dimension Diagram" (page 9) to decide where to install the product. Also please have a 10 mm wrench or a #3 or #2 Phillips screwdriver close at hand, which will be necessary for the installation.

[Where to attach the mirror unit and dryer hook(s)]

Regarding the AY-M2AA + AY-F2AA* single-sided standing mirror, the mirror unit can be mounted either to the left or to the right of the base. When the product is shipped, the dryer hook is attached to the right side of the base as seen from the front, but the dryer hook is removable and can be attached to the left side. Ask the customer which side the mirror unit and the dryer hook should be mounted on, and attach them accordingly when installing the product.



Mirror unit: Mounted to the left side of the base as seen from the front
Dryer hook: Attached to the right side of the base as seen from the front
(No change from the original position)

Mirror unit: Mounted to the right side of the base as seen from the front
Dryer hook: Attached to the left side of the base as seen from the front

The AY-M2AB + AY-F2AB* double-sided standing mirror has one dryer hook on each side of the base. Ask the customer which side of the base the mirror unit should be mounted on and install the product accordingly. If the mirror unit is mounted to the right of the base and needs to be changed to the left of the base, or vice versa, simply rotate the entire product 180° as seen from above.

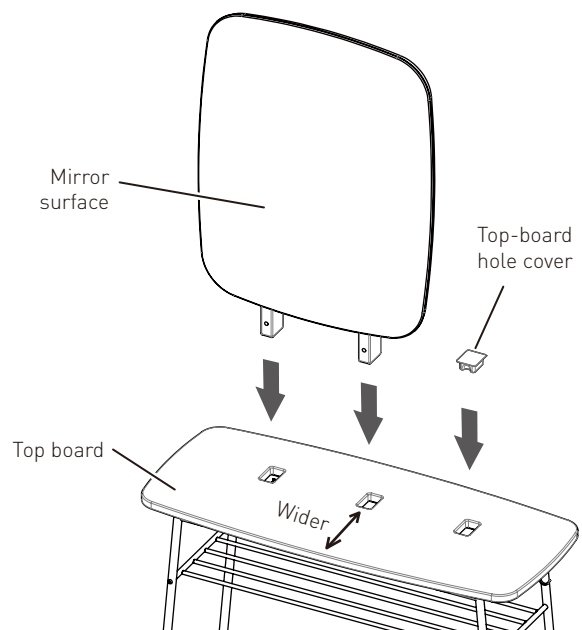
Putting up the Product

* Please note that the illustrations shown in this "Putting up the Product" section are those for the single-sided standing mirror, but the steps to putting up the double-sided standing mirror are the same.

- 1 Insert the legs of the mirror unit into two of the holes in the top board and block the remaining hole with the top-board hole cover.**

Note: When the product is delivered, the mirror unit (AY-M2A*) is wrapped with packing material. When putting up the product, keep the mirror unit wrapped so that you will not touch the mirror surface directly with your hand.

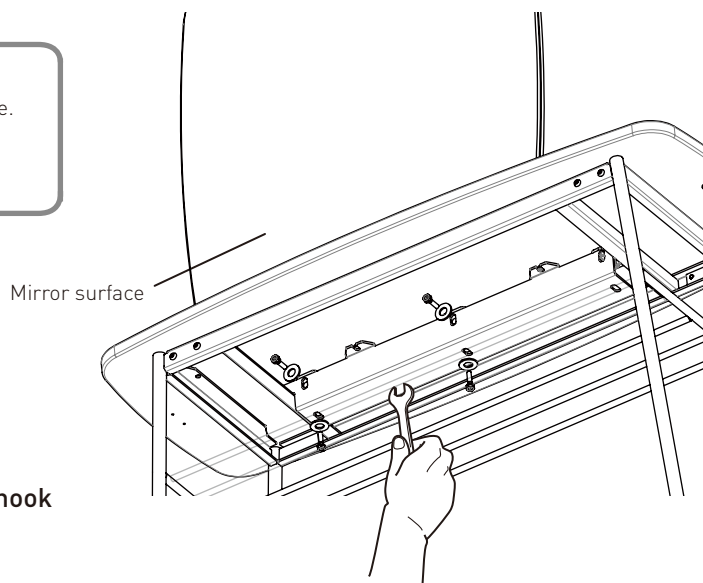
There are three holes in the top board. Insert the legs of the mirror unit into two of the holes and block the remaining hole with the top-board hole cover.
In the case of the AY-M2AA + AY-F2AA* single-sided standing mirror, please make sure that the mirror surface faces the wider (front) side of the top board.



Putting up the Product

2 Bolt the mirror unit to the base.

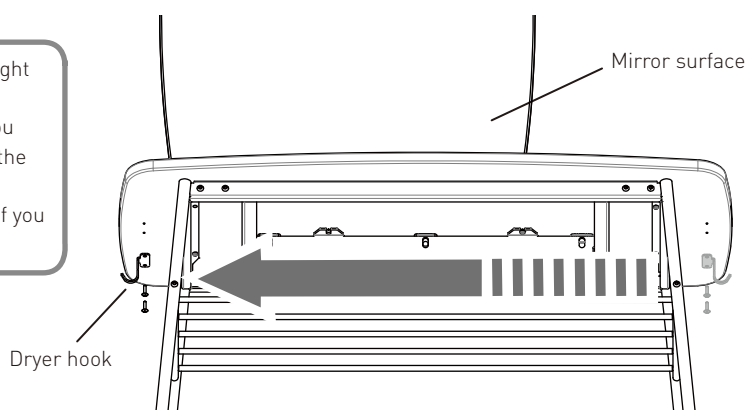
With the supplied four hexagon head bolts (M6 × 35) and four washers (OD 25 × ID 6.5 × t 1.5), bolt the mirror unit to the base. Turn the bolts clockwise to tighten them.
Tool to be used: 10 mm wrench or #3 Phillips screwdriver



3 (If requested by the customer) Remove the dryer hook and attach it to the other side.

(This applies to the AY-M2AA + AY-F2AA* single-sided standing mirror only.)

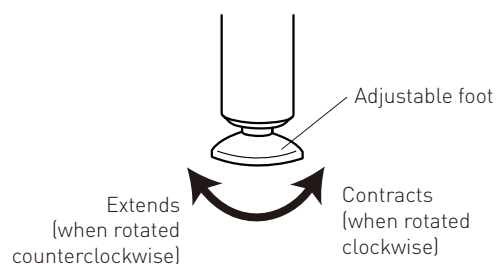
When the product is shipped, the dryer hook is bolted to the right side of the base as seen from the front. Turn the bolts counterclockwise to remove them. Then (with the bolts that you have just removed), attach the dryer hook to the other side of the base. Turn the bolts clockwise to tighten them.
Note: Be careful not to tighten the bolts with excessive force. If you do, they will turn idly.



4 Turn the adjustable feet, if necessary.

If the base is wobbly, use the adjustable feet to solve the problem.

Note: The adjustable range is between 0 mm (contracted to the full) and 10 mm (extended to the full). Do not extend the adjustable feet by over 10 mm. They may come off, causing the base to fall.



Inspection after installation

Inspect the product to check that:

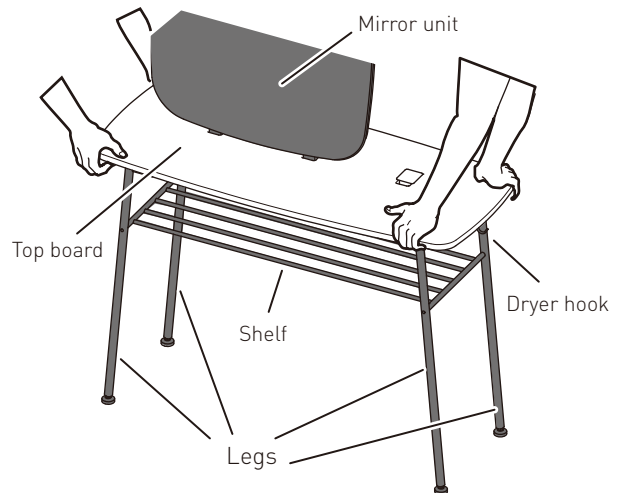
- All four legs of the base are on the floor.**
⇒ If any of the legs are off the floor, use the adjustable feet to make sure that all four legs are on the floor.
- The product is not wobbly.**
Gently push the product to check that it does not sway or wobble badly.
⇒ If the product sways or wobbles badly, make sure that the mirror unit is tightly bolted.
- There are no scratches or other abnormalities on the surface of the product.**

Moving the Product to Another Place

If the product is moved to another place, make sure that two people hold it by the top board.

⚠ CAUTION

- Do not hold the product by the legs, shelf, dryer hook, or mirror unit to carry it. The product may fall, resulting in injury or damage to the product.
- Keep your hands off the metallic parts on the back of the top board. Otherwise, you may become injured.
- Do not drag the product to move it to another place. Damage to the product and the floor may result.
- Do not carry the product with any objects left on the top board or shelf.



Do not hold the product by any of the shaded parts .

Maintenance Method

Maintenance should be performed after using the product to keep it clean at all times.

If left unattended, dirt on the product may leave unremovable stains or cause the product to gather mold.

⚠ CAUTION

During maintenance, keep your hands off the back of the top board. Otherwise, the metallic parts may injure your fingers.

Maintenance of Individual Parts

For normal stains

Gently wipe the mirror with a dry, soft cloth.

<For severe staining>

Wipe with a soft cloth wet with neutral detergent diluted about tenfold with water, followed by wiping with a cloth wet with water, then carefully wipe with a dry cloth.

If water or chemicals get on the surface of the mirror, wipe off the water or chemicals immediately. Otherwise, the mirror may discolour or corrode.

Mirror

⚠ WARNING

- If you clean the mirror while standing on a stepstool, make sure that the stepstool is stable. Otherwise, you may fall and become injured.
- When wiping the mirror, place your hand on the back to support it. Otherwise, the product may fall, resulting in injury or damage to the product.

Metallic parts

Wipe them with a dry, soft cloth.

Since moisture is bad for metal, do not wipe the metallic parts with a wet cloth. If water or chemicals get on their surfaces, wipe off the water or chemicals immediately. Otherwise, the metallic parts may gather rust.

Maintenance Method

Maintenance of Individual Parts

Wooden parts

For normal stains

Gently wipe the wooden parts with a dry, soft cloth.

<For severe staining>

First, wipe the wooden parts with a soft cloth dampened with room temperature or lukewarm water and wrung firmly. Then, wipe the wooden parts with a dry cloth to remove the moisture completely.

If water or chemicals get on the surfaces of the wooden parts, wipe off the water or chemicals immediately. Otherwise, the wooden parts may become stained.

Apply some beeswax to the wooden parts on a regular basis (about every six months). Put a small amount of beeswax on a sponge or rag and rub it into the wood surface to spread the wax. Repeat to cover the entire surface.

Regular waxing forms a protective film on the wood surface, reducing the likelihood of cracking.

Beeswax is available at furniture stores and home improvement stores. Regarding the handling of the beeswax you have purchased, follow the instructions of the manufacturer.

- The following materials must not be used on the product: volatile chemicals, such as thinner, remover, gasoline, and kerosene, acid, alkaline or chlorine-based detergents, antiseptic solution strongly corrosive to metals (Povidone Iodine, etc.), waxes containing abrading agent, sponges containing abrading agent and scrubbing brushes, or other cleaning tools.
- Do not use brushes and scrubbing brushes for maintenance of the product because this may cause scarring and make the stains more difficult to remove.
- Do not apply heat from a hair dryer to dry the product quickly.
- Do not bleach the product or use any cleaners containing abrasives or organic solvents on the product. The surface of the product may deteriorate, causing it to change texture or lose luster.
- Do not use synthetic resin-based waxes on the wooden parts. The wood surface will change in texture.

Daily Inspection

The following inspection should be performed for safe use of the product.



WARNING

Daily inspections must be performed according to the details shown below. Using without performing daily inspections may lead to injury or damage to the product.

Weekly inspection items

Inspection item	Inspection method	Inspection result, action to take in case of failure
Check that the product does not sway or tilt.	Gently push the product from front to back and from side to side to check that it does not sway or tilt.	Use the adjustable feet to correct the problem. If the problem persists, discontinue use and contact your local authorised Takara Belmont dealer.
Check that the product is not wobbly.	Gently push the product from front to back and from side to side to check that it is not wobbly.	
Check that the mirror is glued in place.	With your hand placed on the back of the mirror to support it, push the mirror surface with your fingers to check that the mirror is glued in place.	Discontinue use and contact your local authorised Takara Belmont dealer.

Standard Period of Use

- The standard period of use for this product is seven years.
- Standard period of use is defined as “a guideline for the standard period of using the product without any problems in safety under standard conditions of product use with appropriate maintenance and inspection (including replacement of parts) performed.” Please be advised that this is not an indication of the guarantee period, and the standard period will differ depending on the environment (including water quality) and method in which you use the product. Please contact your local authorised Takara Belmont dealer for maintenance after completion of the standard period of use.

Parts That Are Not Covered by the Warranty

“Parts that are not covered by the warranty” of a product refer to parts that are expected to wear, deteriorate, change in appearance, or become damaged with use. Please be advised that the repair or replacement of these parts is not covered by the warranty and will be charged. (Note: When and to what extent the parts will show wear, deterioration, or damage will depend on the actual environment and conditions of use.)

If these parts show significant wear, deterioration, or damage, they need to be inspected or replaced. Please contact your local authorised Takara Belmont dealer immediately.

Listed below are parts that are not covered by the warranty.

Regarding exterior parts, the warranty does not cover scratches, stains, or rust on them, nor does it cover their deterioration or discolouration.

Exterior parts

- Mirror
- Top plate
- Legs
- Shelf
- Adjustable feet
- Dryer hook(s)

Disposal of the Product

When disposing of the product or replaced parts, waste should be processed appropriately according to current laws and regulations in your country.

Specifications

Weight	● Single-sided mirror AY-M2AA	10kg	● Double-sided mirror AY-M2AB	17kg
	● Single-sided base AY-F2AA*	24kg	● Double-sided base AY-F2AB*	28kg
Outer dimensions	See “Product Dimension Diagram” (page 9).			
Load capacity of the top board and shelf	150N (15kgf)			

Notes

